

TOUGH

PULSATION DAMPENER & INLET STABILIZER

BLACOH[™]
INDUSTRIES



FEATURES/BENEFITS

5-YEAR WARRANTY: On everything except the air control

HIGHER PRESSURE RATING: Max operating pressure rated to 225 psi

RIGHT-SIZED PERFORMANCE: Six sizes for optimal pulsation control

SYSTEM COMPATIBILITY: Multiple housing and bladder options

CORROSION RESISTANT: Stainless steel hardware and gauges

STAINLESS AIR CONTROLS: Stainless steel air control options

SPECIFICATIONS

SIZES: 16, 28, 42, 52, 66, 90 cu. in.

HOUSING: CPVC, PVC, PVDF

DIAPHRAGM: Buna, EPDM, Hypalon, PTFE, Viton

INLET SIZES: 0.5" (15mm), 0.75" (20mm), 1" (25mm)

INLET TYPES: FNPT, BSP, ANSI Flange, Socket Weld

MAX PRESSURE: 225 psi (15.5 bar)

AIR CONTROLS: Chargeable, Adjustable, Inlet Stabilizer

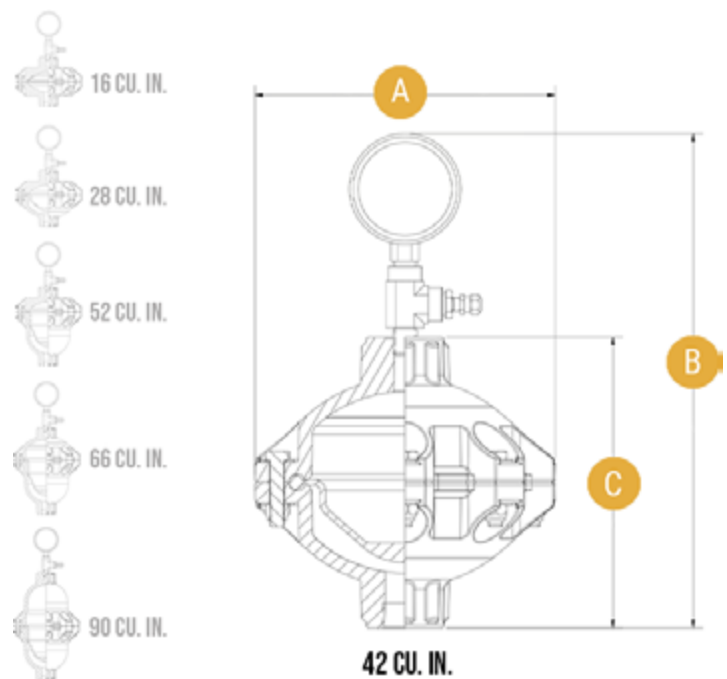
OPTIONS: Stainless steel air control



DIMENSIONS

Chargeable units shown. See website for all configurations.

UNIT	A	B	C
16 cu. in.	Ø 6.75" 171.4mm	9.69" 246.1mm	5.09" 129.4mm
28 cu. in.		10.4" 264.1mm	5.8" 147.4mm
42 cu. in.		11.16" 283.3mm	6.56" 166.6mm
52 cu. in.		12.64" 321mm	8.04" 204.3mm
66 cu. in.		13.39" 340.2mm	8.8" 223.5mm
90 cu. in.		15.63" 397.1mm	11.04" 280.4mm



AIR CONTROLS



CHARGEABLE

With a compressed air line permanently attached, the regulator allows for an easy, convenient method to adjust dampener pressure with system pressure changes.



ADJUSTABLE

No permanent source of gas is required. With the gas fill valve, the dampener can be manually bled or charged to the required pressure setting.



INLET STABILIZER

No permanent source of gas is required. Allows for pressure or vacuum settings and can be manually adjusted for suction lift or positive inlet conditions.

HOUSING MATERIALS



PVC



CPVC



PVDF



PVDF/PVC

CONFIGURATOR

SAMPLE MODEL NUMBER: **C 16 31 B -100-BSP**

AIR CONTROL	SIZE (CU. IN.)	HOUSING MATERIAL	BLADDER/BELLOWS	INLET TYPE
C	16	31	B	-100-BSP
C (Chargeable)	16	31 (PVC)	B (BUNA)	-050 (1/2" NPT)
VC (Chargeable, SS)	28	33 (CPVC)	E (EPDM)	-075 (3/4" NPT)
M (Adjustable)	42	40 (PVDF/PVC)	H (Hypalon)	-100 (1" NPT)
VM (Adjustable, SS)	52	42 (PVDF)	V (Viton)	F-050 (1/2" Flanged)
J (Inlet Stabilizer)	66		T (PTFE)	F-075 (3/4" Flanged)
VJ (Inlet Stabilizer, SS)	90			F-100 (1" Flanged)
				-050-BSP (1/2" BSP)
				-075-BSP (3/4" BSP)
				-100-BSP (1" BSP)
				-050-SW (1/2" SW)
				-075-SW (3/4" SW)
				-100-SW (1" SW)
				-15-SW (15MM)
				-20-SW (20MM)
				-25-SW (25MM)

